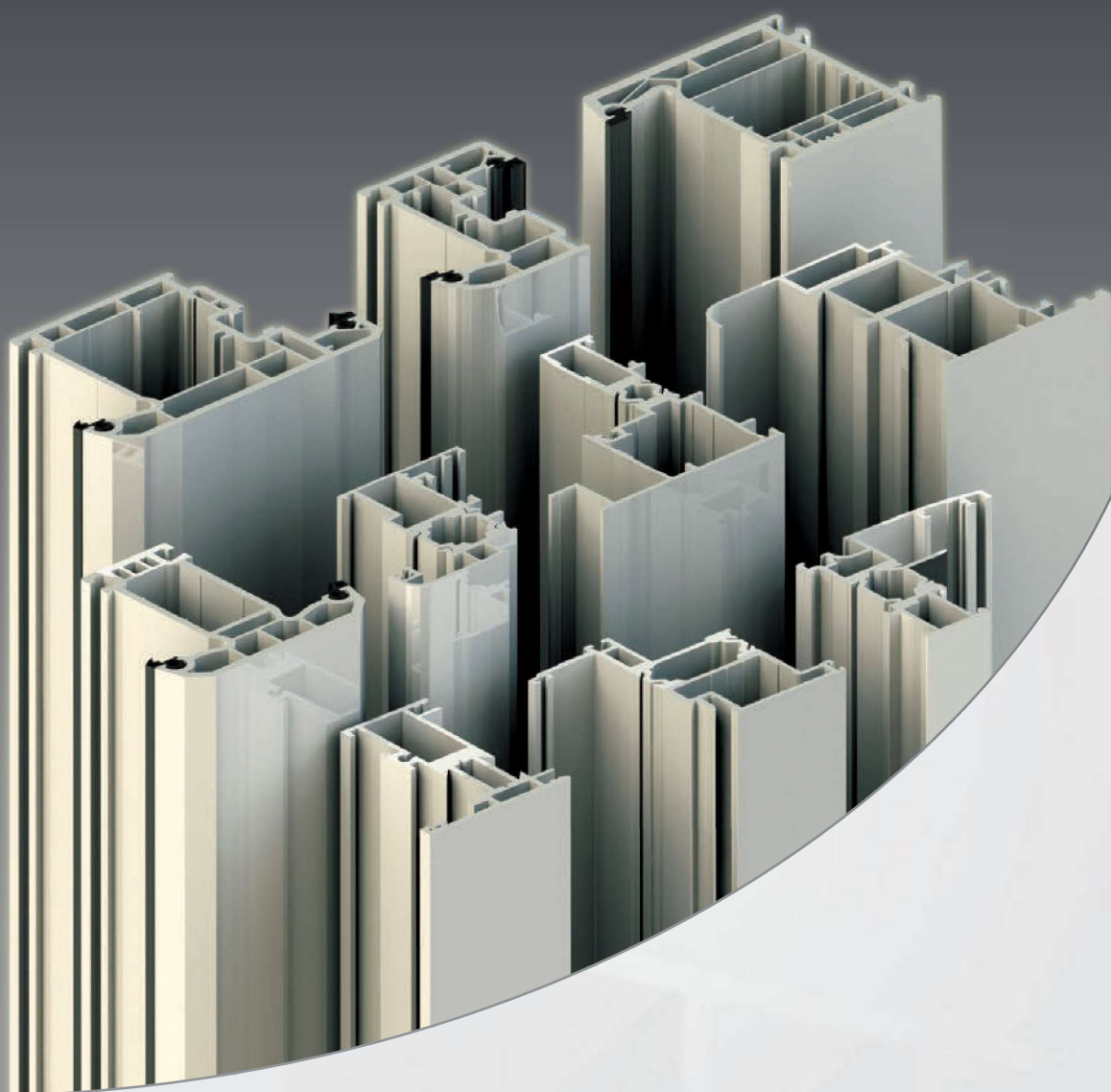


Machining Centre

Machines for processing aluminium and PVC profiles



Machines fully designed and manufactured in Italy

PERTICI
INDUSTRIES

THE COMPANY

Pertici Industries, was founded in 1965 by Leto Pertici as Costruzioni Meccaniche Pertici.

Originally, the Company started off with the production of traditional wood-working machines and subsequently developed the production of machinery for the aluminium and PVC door and window industry.

Pertici has always been a competent and reliable supplier of machinery for the production of windows and doors with a range of products constantly developed and improved.

The volume growth and the extension of the production site, accompanied by a production cycle completely controlled inside, allowed Pertici to offer solutions of the highest quality and reliability able to meet the needs of every type of customer.

Thanks to these characteristics, since the eighties, Pertici has been the protagonist of a strong international expansion that allowed the creation of a solid distribution network around the world. In nearly fifty years of work, Pertici has installed tens of thousands of plants in Europe, America, Africa, Asia and Australia.

Today Pertici Industries is a world leader in the design and construction of machines and systems for the processing of aluminium and PVC profiles. Pertici develops and implements cutting-edge technology guaranteeing a global customer service which includes servicing, maintenance, installation, support and timely educational training.

The expertise and experience embedded in all the staff together with the strong presence in the global market are essential elements of the company constant development strategy.



PERTICI WORLDWIDE







Machining centre

CNC vertical machining centre is designed for drilling, milling and copying operations suitable for several materials:

- aluminium profiles,
- steel profiles,
- PVC profiles (including steel reinforced pvc profiles),
- various plastic materials.

It is used for several applications, where the aluminum is widely used particularly manufacturing of windows, doors, and curtains walls.

The machining head moves in longitudinal, transversal and vertical directions by BRUSHLESS motors with rack and pinion system allowing the movement on ball bearings rails and slides to achieve very high precision.

The rotation of the table between -90° to $+90^{\circ}$ (except for MC 400E model) and the angular head allows machining operation on all faces of the profile at any angles.

The MC machining centre offers an user friendly software available on board and at the office.

Three models are available according to various length and versions to meet customer needs.

Models

pag

Machining centre MC 700A

ALU

PVC

6

Machining centre MC 400

ALU

PVC

8

Machining centre MC 250

ALU

PVC

10

Machining centre MC 700A

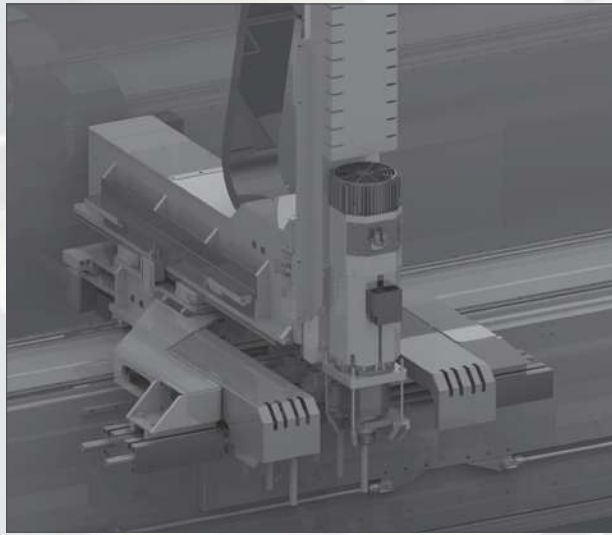
- **5 CNC controlled axis**
- **2 working areas to operate either separately and in pendulum mode**
- X axis maximum travel (longitudinal): 7550 mm
- Y axis maximum travel (transversal): 500 mm
- Z axis maximum travel (vertical): 490 mm
- A axis maximum travel (rotating table): $-90^{\circ} \div +90^{\circ}$
- X Axis drive max speed: 90 m/min
- Y Axis drive max speed: 60 m/min
- Z Axis drive max speed: 60 m/min
- Rotating tables drive max speed: $90^{\circ}/s$
- Electerspindle: 7,5 kW HSK-63F
- Electerspindle maximum speed: 24000 rpm
- Tool store: 8 tools with possibility to host 1 milling blade (mounted on the head)
- Tool change: automatic
- Maximum diameter of milling tool: 20 mm
- Milling blade maximum diameter: 180 mm
- Number of rotating tables: 2
- Number of standard clamps per table: 4
- Adjustment of clamps positioning: automatic
- Number of end stops per table: 2
- Minimal lubrication system
- 2 independent automatic front protection doors
- Power supply: 12 kW
- Air consumption: 300 NI/'
- Dimensions (length x depth x height):
 - 8780 x 2550 x 2437 mm
- Weight: 4500 kg

Control features

- Windows 7 operating system
- Advanced 3D software
- HMI (Human Machine Interface): display of axis positions, clamps, electrospindle rotation, control of axis jogs, lubrication, etc.
- Tools Table: for storing the parameters of the tools used during machining.
- CNC Setting Tables: machine parameters tables for adjusting the configuration and for maintenance of the machine (axis lengths, origins, number of clamps, machine mapping for software correction, etc.)
- Macros programming
- Parametric functions
- Inclined planes management
- Profile extrusion with DXF files sections
- On board PC Hardware includes:
 - Colour Monitor LCD 17"
 - Ethernet card for network connection
 - Serial port and USB port
 - SSD
 - USB port, Memory Data Storage



MC 700A



Options

- Additional clamps per table: max n. 2
- Bar code reader
- Empowered lubrication system
- Air cooling system
- Blinking light to indicate the working status (program completed, in operation, in emergency)
- Tool Setting and Breakage detection
- Dust Exhausting System
- Machine Full Enclosure
- Angular head

